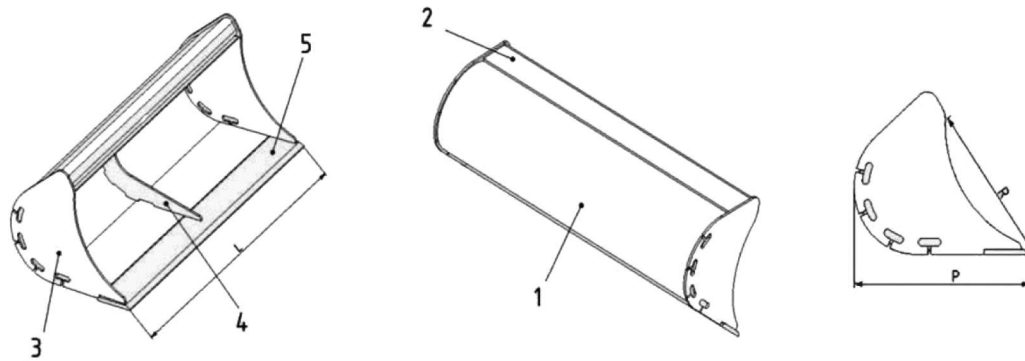


SLOPED EXCAVATOR BUCKETS 0.6 - 14 TONS



Materials	1	2	3	4	5	Dimensions	Dimensions
						R in mm	P in mm
TRT12	S 355	S 355	S 355	S 355	HB 400	300	330
TRT18						330	360
TRT28						380	440
TRT40						440	520
TRT60						500	575
TRT90						550	640
TRT130						600	700

Category	Code	L	Weight	SAE
Ton	Model	mm	Kg	Lt
TRT 12 0.6 - 1.2 Ton	TRT12-600	600	28	37
	TRT12-800	800	36	51
	TRT12-1000	1000	44	64

Category	Code	L	Weight	SAE
Ton	Model	mm	Kg	Lt
TRT 18 1.2 - 1.8 Ton	TRT18-800	800	46	64
	TRT18-1000	1000	56	81
	TRT18-1200	1200	66	98

Category	Code	L	Weight	SAE
Ton	Model	mm	Kg	Lt
TRT 28 1.8 - 2.8 Ton	TRT28-1000	1000	62	103
	TRT28-1200	1200	74	120
	TRT28-1400	1400	100	139

Category	Code	L	Weight	SAE
Ton	Model	mm	Kg	Lt
TRT 40 2.8 - 4.0 Ton	TRT40-1000	1000	96	141
	TRT40-1200	1200	112	171
	TRT40-1300	1300	120	185
	TRT40-1400	1400	129	202

Category	Code	L	Weight	SAE
Ton	Model	mm	Kg	Lt
TRT 60 4.0 - 6.0 Ton	TRT60-1200	200	136	217
	TRT60-1400	250	156	255
	TRT60-1500	300	164	274

Category	Code	L	Weight	SAE
Ton	Model	mm	Kg	Lt
TRT 90 6.0 - 10 Ton	TRT90-1200	1200	152	260
	TRT90-1400	1400	181	311
	TRT90-1500	1500	209	359
	TRT90-1600	1600	225	395
	TRT90-1800	1800	247	432

Category	Code	L	Weight	SAE
Ton	Model	mm	Kg	Lt
TRT 130 10 - 14 Ton	TRT130-1500	1500	260	419
	TRT130-1600	1600	270	449
	TRT130-1800	1800	296	509
	TRT130-2000	2000	310	555