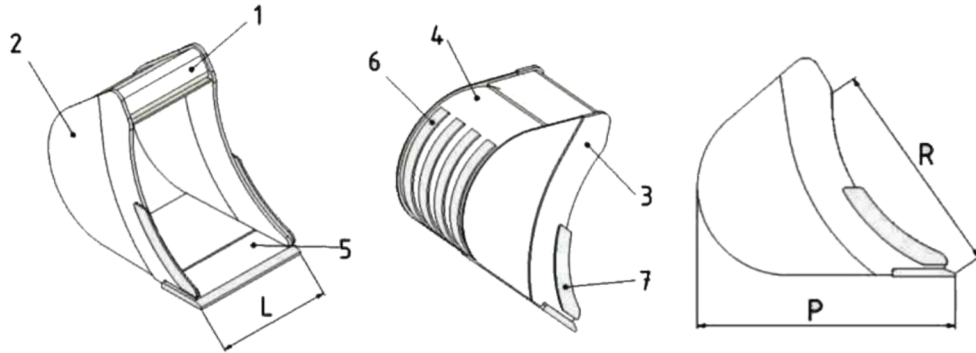


STANDARD EXCAVATOR BUCKETS 0.6 - 10 TONS



Materials	1	2	3	4	5	6	Dimensions	Dimensions
							R in mm	P in mm
TR12	S 355	S 355	S 355	S 355	HB 250	S 355	340	360
TR18							380	430
TR28							400	510
TR40							500	580
TR60							600	690
TR80							700	780
TR100							750	820

Category	Code	L	Teeth	Weight	SAE
Ton	Model	mm	Nr.	Kg	Lt
TR 12 0.6 - 1.2 Ton	TR12-200	200	2	14	11
	TR12-250	250	2	16	14
	TR12-300	300	3	18	18
	TR12-350	350	3	20	22
	TR12-400	400	3	22	26
	TR12-450	450	4	24	30
	TR12-500	500	4	26	34
	TR12-600	600	5	30	42
	TR12-700	700	5	34	50

Category	Code	L	Teeth	Weight	SAE
Ton	Model	mm	Nr.	Kg	Lt
TR 18 1.2 - 1.8 Ton	TR18-200	200	2	20	15
	TR18-250	250	2	22	20
	TR18-300	300	3	25	26
	TR18-350	350	3	27	32
	TR18-400	400	3	30	37
	TR18-450	450	4	32	43
	TR18-500	500	4	34	48
	TR18-600	600	5	39	60
	TR18-700	700	5	43	72

Category	Code	L	Teeth	Weight	SAE
Ton	Model	mm	Nr.	Kg	Lt
TR 28 1.8 - 2.8 Ton	TR28-250	250	2	31	27
	TR28-300	300	3	35	35
	TR28-350	350	3	38	42
	TR28-400	400	3	41	50
	TR28-450	450	4	44	58
	TR28-500	500	4	48	66
	TR28-600	600	4	54	82
	TR28-700	700	5	60	98
	TR28-800	800	5	67	114

Category	Code	L	Teeth	Weight	SAE
Ton	Model	mm	Nr.	Kg	Lt
TR 40 2.8 - 4.0 Ton	TR40-250	250	2	38	31
	TR40-300	300	3	42	41
	TR40-350	350	3	47	52
	TR40-400	400	3	50	62
	TR40-450	450	4	54	72
	TR40-500	500	4	59	82
	TR40-600	600	4	66	102
	TR40-700	700	5	73	122
	TR40-800	800	5	82	142

Category	Code	L	Teeth	Weight	SAE
Ton	Model	mm	Nr.	Kg	Lt
TR 60 4.0 - 6.0 Ton	TR60-300	300	3	56	58
	TR60-350	350	3	62	73
	TR60-400	400	3	67	87
	TR60-450	450	4	71	102
	TR60-500	500	4	78	116
	TR60-600	600	4	87	146
	TR60-700	700	5	97	175
	TR60-800	800	5	108	204
TR60-900	900	5	117	233	



Category	Code	L	Teeth	Weight	SAE
Ton	Model	mm	Nr.	Kg	Lt
TR 80 6.0 - 8.0 Ton	TR80-300	300	3	82	80
	TR80-350	350	3	87	86
	TR80-400	400	3	94	104
	TR80-450	450	4	100	123
	TR80-500	500	4	108	142
	TR80-600	600	4	120	179
	TR80-700	700	5	134	216
	TR80-800	800	5	148	253
TR80-900	900	5	160	290	



Category	Code	L	Teeth	Weight	SAE
Ton	Model	mm	Nr.	Kg	Lt
TR 100 8.0 - 10.0 Ton	TR100-400	400	3	109	115
	TR100-500	500	4	128	157
	TR100-600	600	4	145	199
	TR100-700	700	5	160	240
	TR100-800	800	5	179	282
	TR100-900	900	5	195	323
	TR100-1000	1000	6	214	365
	TR100-1100	1100	6	229	407
	TR100-1200	1200	6	245	448